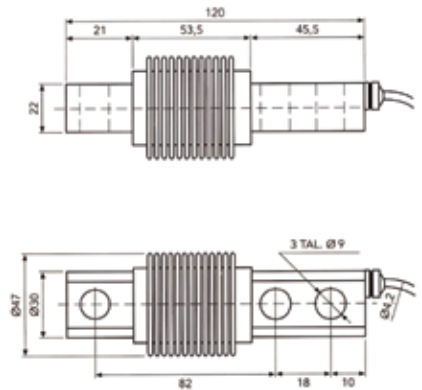


Flexion Load Cells FX1 - FX2

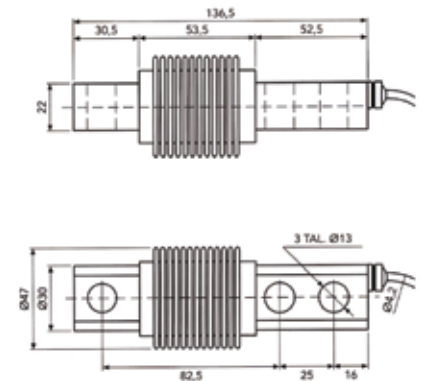


Revisión 01 | Reviewed by JN

airpes®



Model FX1



Model FX2

General information

The CF and CFA model of load cells have been specially designed to work in projection with element detecting shear. Construction in alloyed steel and anticorrosive treatment of chemical nickel.

3,000 OIML-R60 divisions.

Leak-tightness IP-66

Capacities from 15Kg to 20 T.

Available in stainless steel

Characteristics

Type of precision: C3

Sensitiveness: $2 \pm 0,1\% \text{ mV/V}$

Vmin: $E_{\text{max}}/10000$

Voltage of feeding: $5 \div 15 \text{ V}$

Resistance at input: $390 \pm 3 \Omega$

Resistance at output: $350 \pm 3 \Omega$

Compensated margin of temperature: -10°C a $+40^\circ\text{C}$

Resistance of insulation: $>5000 \text{ M}$